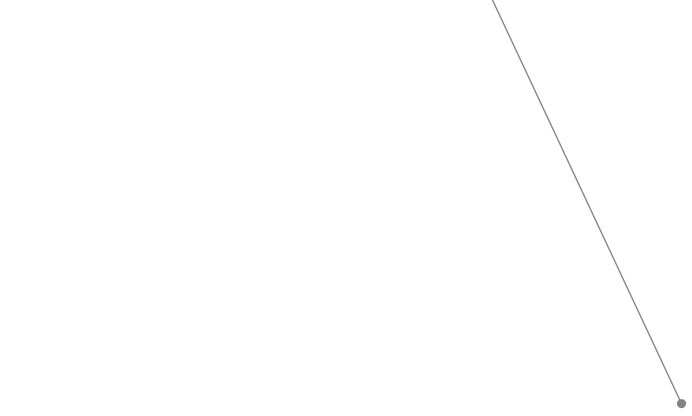
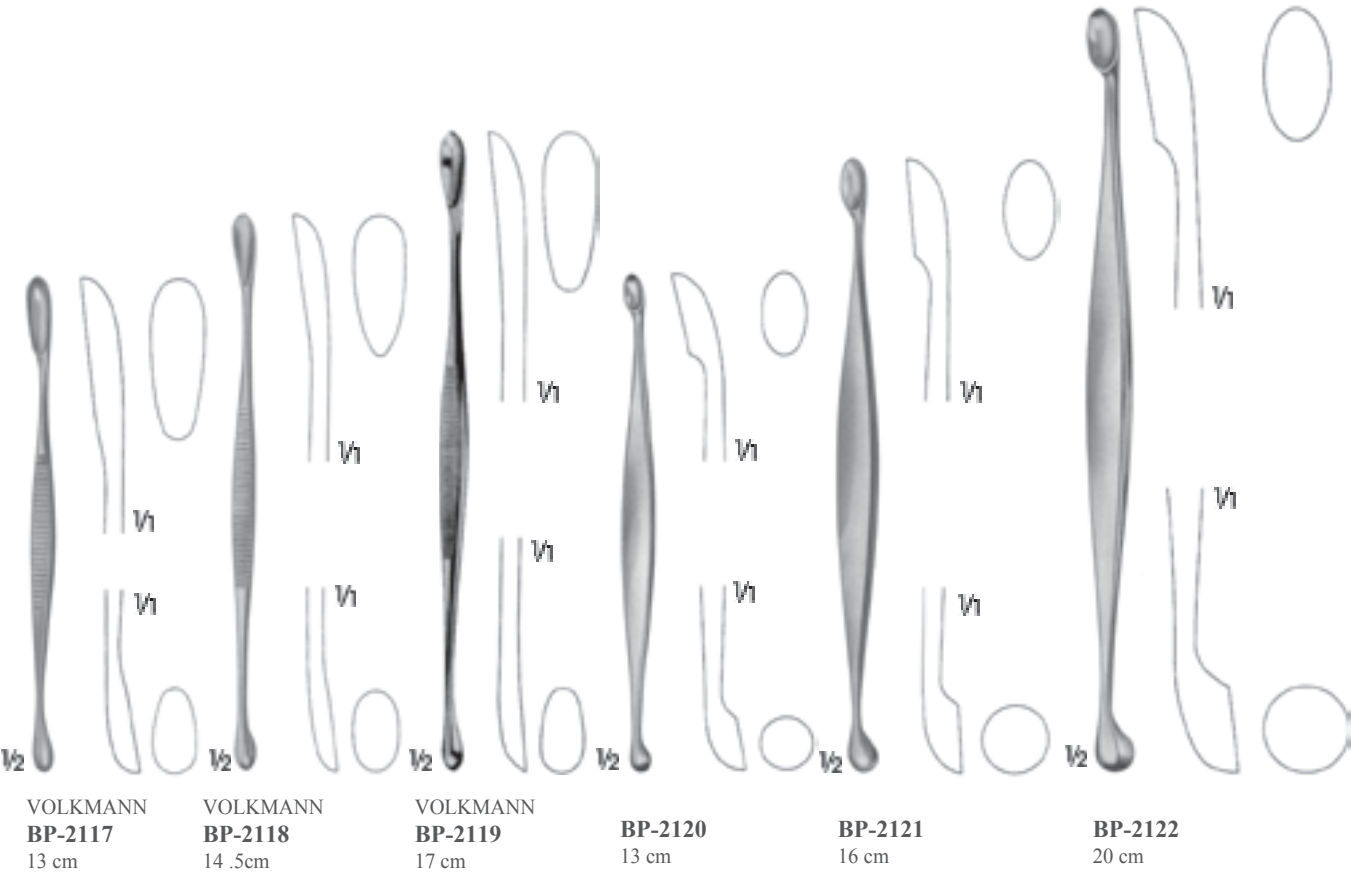
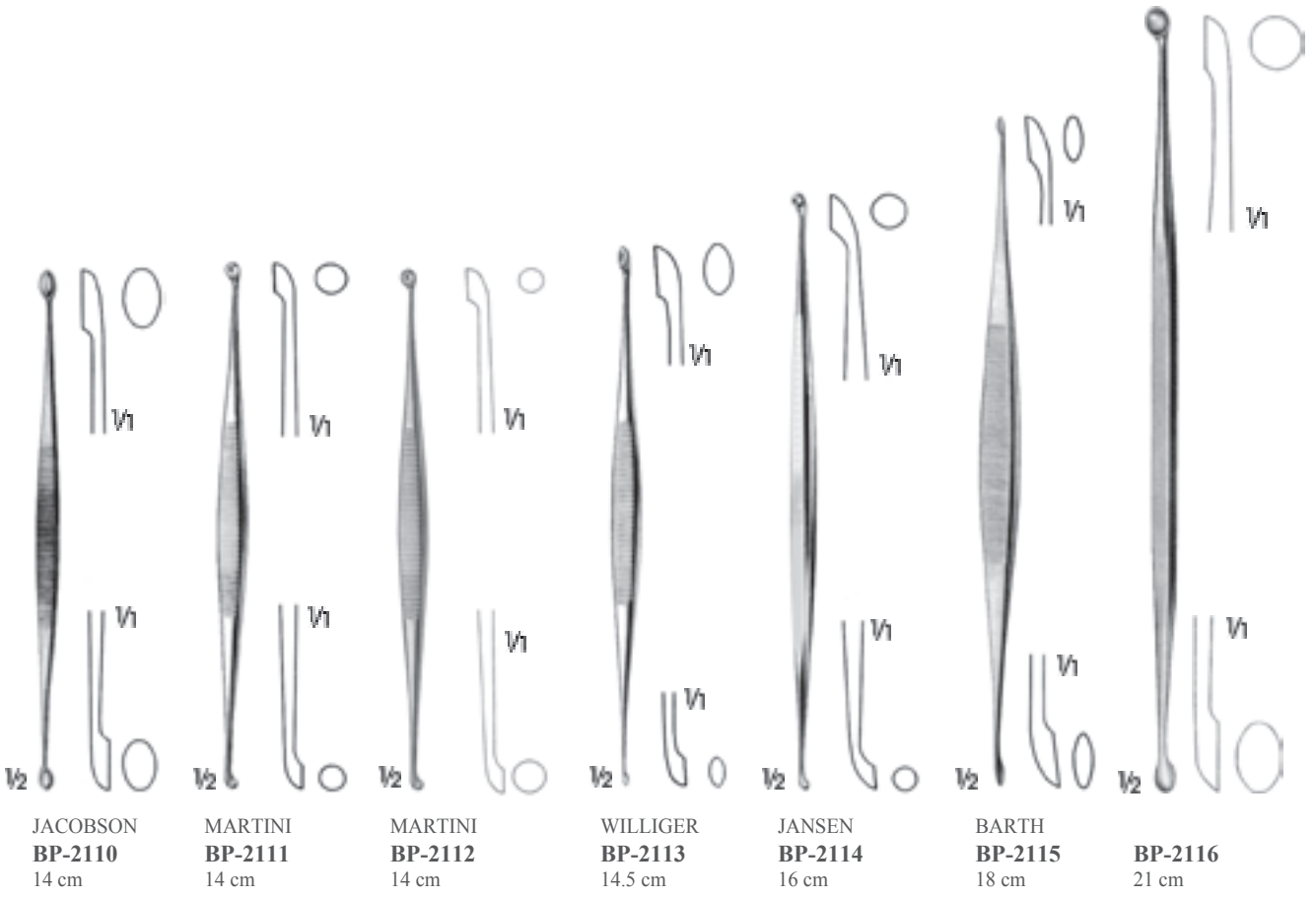
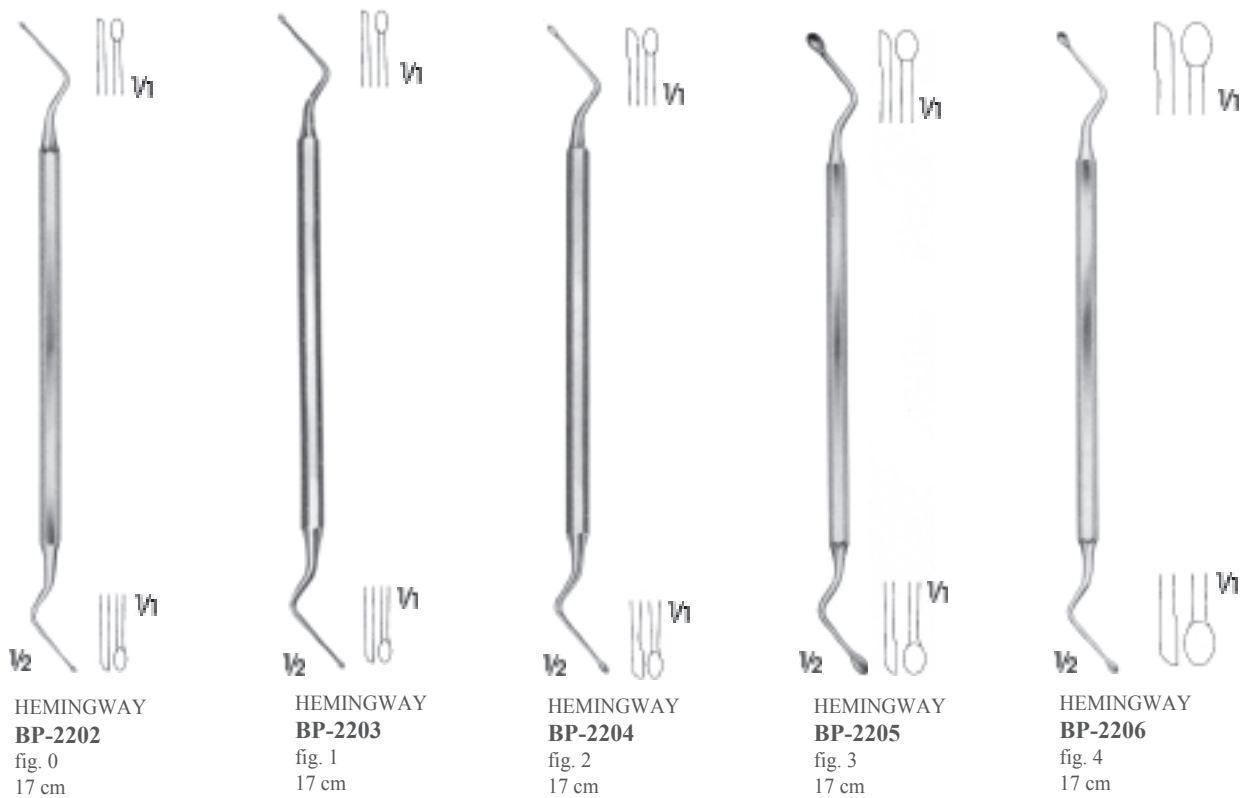
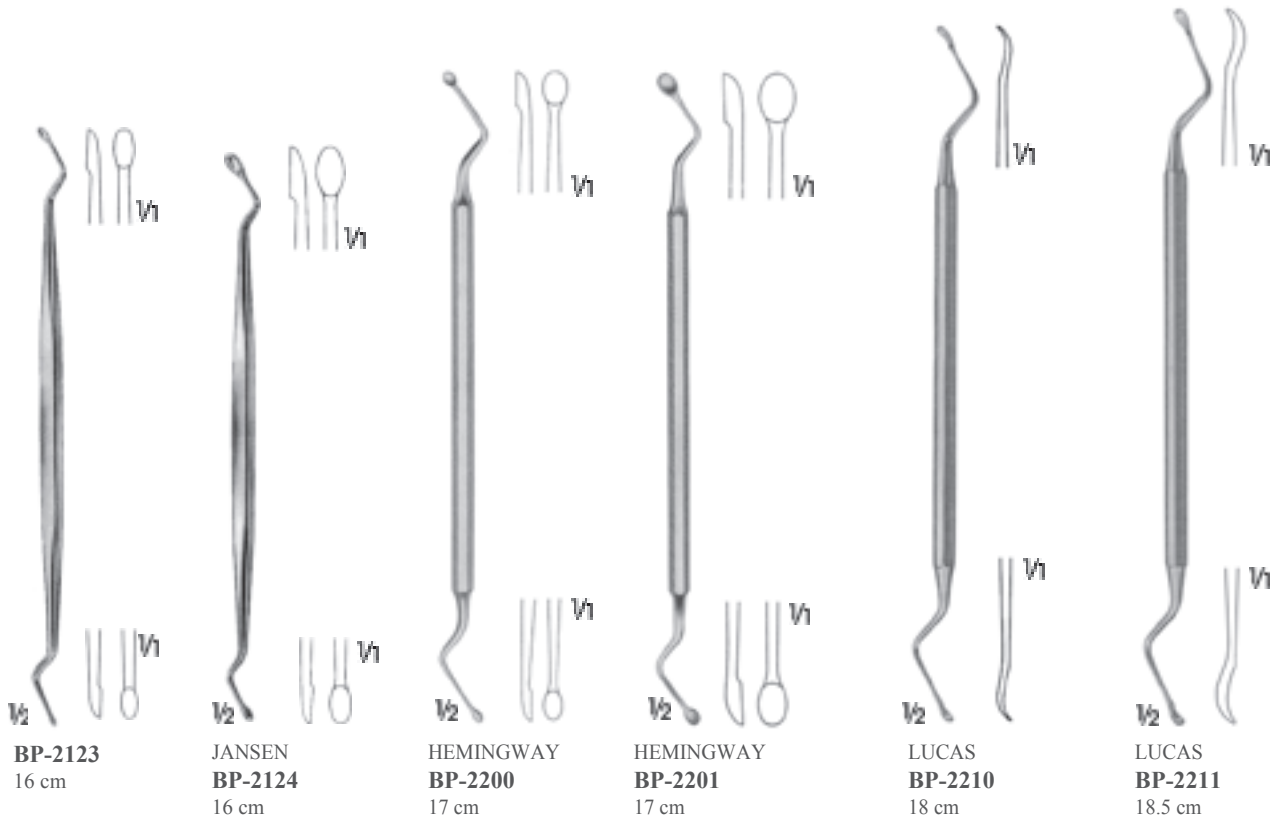


BP

Kemik Kretleri
Bone Curettes









SCHEDÉ
BP-2280 - BP-2286
17 cm

fig. 000	fig. 00	fig. 0	fig. 1
BP-2280 3 mm	BP-2281 3.5 mm	BP-2282 4 mm	BP-2283 5.5 mm
fig. 2	fig. 3	fig. 4	
BP-2284 7 mm	BP-2285 8 mm	BP-2286 10.5 mm	

SCHEDÉ
BP-2287 - BP-2293
17 cm

fig. 000	fig. 00	fig. 0	fig. 1
BP-2287 2.5 mm	BP-2288 3.4 mm	BP-2289 4.2 mm	BP-2290 5.2 mm
fig. 2	fig. 3	fig. 4	
BP-2291 6.3 mm	BP-2292 7.4 mm	BP-2293 8 mm	

BRUNS
BP-2300 - BP-2306
16.5 cm

fig. 000	fig. 00	fig. 0	fig. 1
BP-2300 3 mm	BP-2301 4 mm	BP-2302 5 mm	BP-2303 6 mm
fig. 2	fig. 3	fig. 4	
BP-2304 8 mm	BP-2305 10 mm	BP-2306 12 mm	

BRUNS
BP-2307 - BP-2313
16.5 cm

fig. 000	fig. 00	fig. 0	fig. 1
BP-2307 3 mm	BP-2308 4 mm	BP-2309 5 mm	BP-2310 6 mm
fig. 2	fig. 3	fig. 4	
BP-2311 8 mm	BP-2312 10 mm	BP-2313 12 mm	

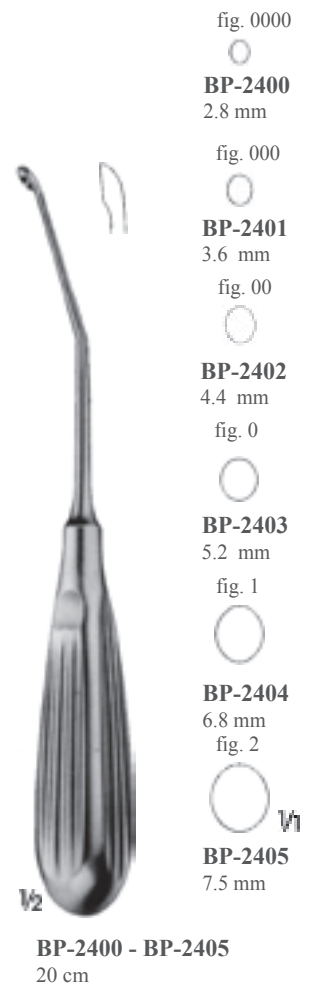
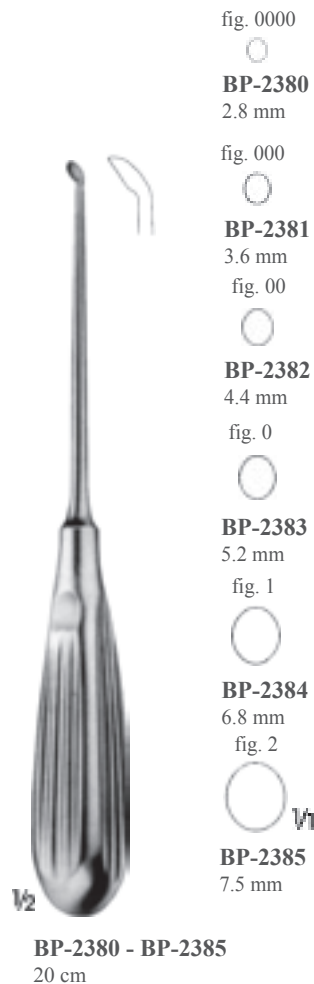
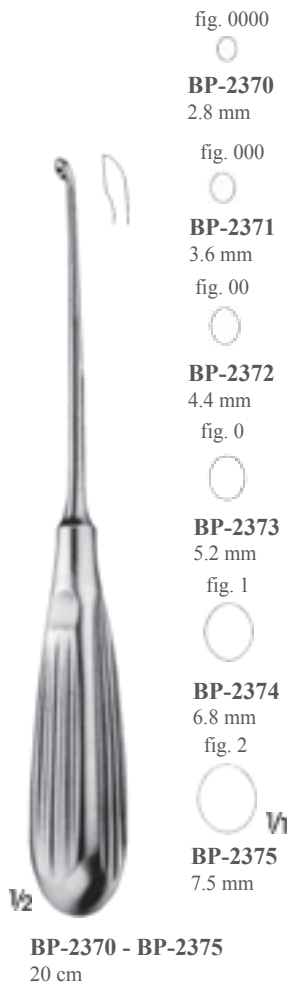
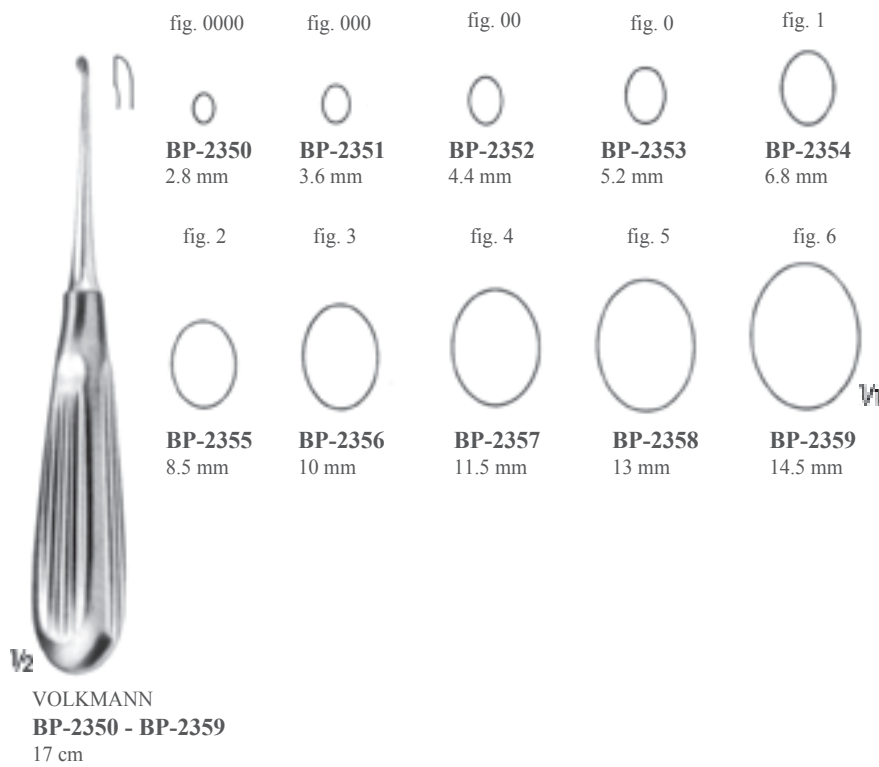




fig. 0000
BP-2410
2.8 mm

fig. 000
BP-2411
3.6 mm

fig. 00
BP-2412
4.4 mm

fig. 0
BP-2413
5.2 mm

DAUBENSPECK
BP-2410 - BP-2413
20 cm

fig. 0000
BP-2420
1.8 mm

fig. 000
BP-2421
2.0 mm

fig. 00
BP-2422
2.4 mm

fig. 0
BP-2423
2.6 mm

fig. 1
BP-2424
2.8 mm

LEMBERT
BP-2420 - BP-2424
20 cm

fig. 00
BP-2430
4.4 mm

fig. 0
BP-2431
5.2 mm

fig. 1
BP-2432
6.8 mm

HALLE
BP-2430 - BP-2432
21.5 cm

fig. 000
BP-2450
3.6 mm

fig. 00
BP-2451
4.4 mm

fig. 0
BP-2452
5.2 mm

fig. 1
BP-2453
6.8 mm

BP-2450 - BP-2453
25 cm

fig. 000
BP-2460
3.6 mm

fig. 00
BP-2461
4.4 mm

fig. 0
BP-2462
5.2 mm

fig. 1
BP-2463
6.8 mm

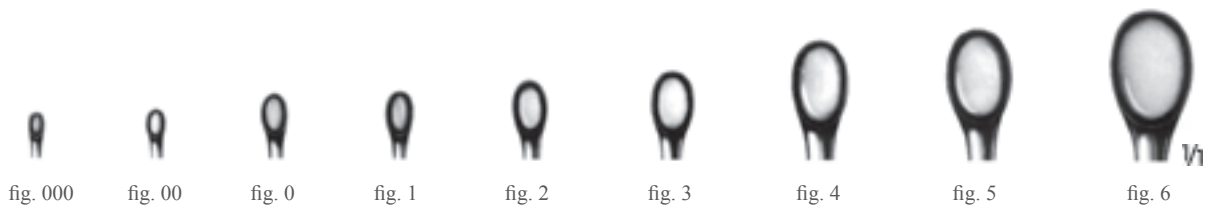
BP-2460 - BP-2463
25 cm

BP-2470
3 mm

BP-2471
4 mm

BP-2472
5 mm

BUSHE
BP-2470 - BP-2472
25 cm



BP-2500 1.8 mm	BP-2501 2.2 mm	BP-2502 3.5 mm	BP-2503 4.0 mm	BP-2504 4.5 mm	BP-2505 5.5 mm	BP-2506 7.2 mm	BP-2507 8.5 mm	BP-2508 10.5 mm
BP-2510 1.8 mm	BP-2511 2.2 mm	BP-2512 3.5 mm	BP-2513 4.0 mm	BP-2514 4.5 mm	BP-2515 5.5 mm	BP-2516 7.2 mm	BP-2517 8.5 mm	BP-2518 10.5 mm
BP-2520 1.8 mm	BP-2521 2.2 mm	BP-2522 3.5 mm	BP-2523 4.0 mm	BP-2524 4.5 mm	BP-2525 5.5 mm	BP-2526 7.2 mm	BP-2527 8.5 mm	BP-2528 10.5 mm



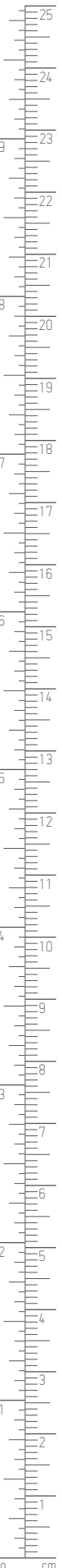
EPSTEIN
BP-2500 - BP-2508
20 cm

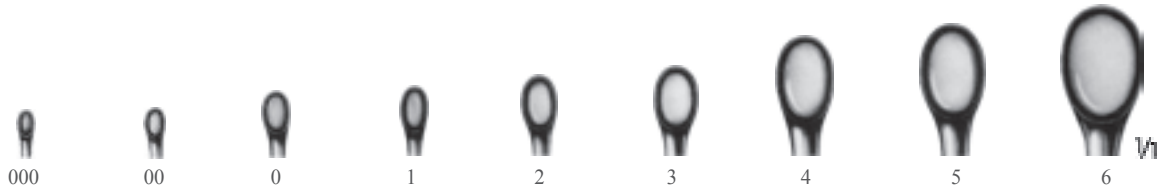


HIBBS-SPRATT
BP-2510 - BP-2518
20 cm



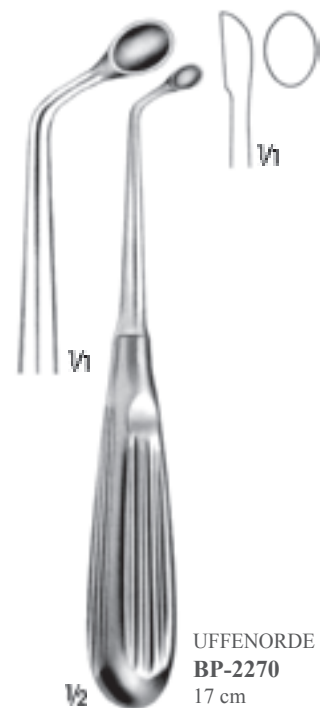
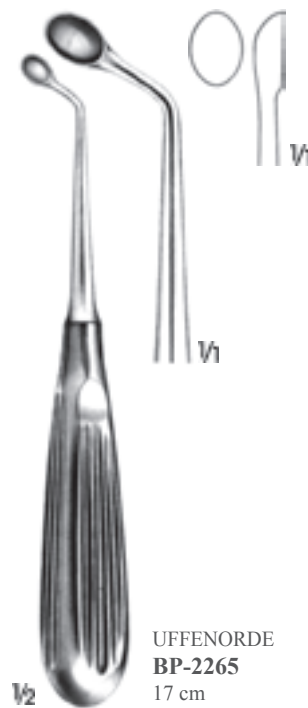
HIBBS-SPRATT
BP-2520 - BP-2528
20 cm





BP-2530 1.8 mm	BP-2531 2.2 mm	BP-2532 3.5 mm	BP-2533 4.0 mm	BP-2534 4.5 mm	BP-2535 5.5 mm	BP-2536 7.2 mm	BP-2537 8.5 mm	BP-2538 10.5 mm
BP-2540 1.8 mm	BP-2541 2.2 mm	BP-2542 3.5 mm	BP-2543 4.0 mm	BP-2544 4.5 mm	BP-2545 5.5 mm	BP-2546 7.2 mm	BP-2547 8.5 mm	BP-2548 10.5 mm
BP-2550 1.8 mm	BP-2551 2.2 mm	BP-2552 3.5 mm	BP-2553 4.0 mm	BP-2554 4.5 mm	BP-2555 5.5 mm	BP-2556 7.2 mm	BP-2557 8.5 mm	BP-2558 10.5 mm
BP-2560 1.8 mm	BP-2561 2.2 mm	BP-2562 3.5 mm	BP-2563 4.0 mm	BP-2564 4.5 mm	BP-2565 5.5 mm	BP-2566 7.2 mm	BP-2567 8.5 mm	BP-2568 10.5 mm







BP-4500 - BP-4804
21.5 cm

Öne/Forward Düz/Straight		0000 0	000 0	00 0	0 0	1 1
	BP-4500	BP-4501	BP-4502	BP-4503	BP-4504	
Öne/Forward Açılı/Angle		0000 0	000 0	00 0	0 0	1 1
	BP-4700	BP-4701	BP-4702	BP-4703	BP-4704	
Geriye/Backward Düz/Straight		0000 0	000 0	00 0	0 0	1 1
	BP-4600	BP-4601	BP-4602	BP-4603	BP-4604	
Geriye/Backward Açılı/Angle		0000 0	000 0	00 0	0 0	1 1
	BP-4800	BP-4801	BP-4802	BP-4803	BP-4804	



BP-4900 - BP-5204
24 cm

Öne/Forward Düz/Straight		0000 0	000 0	00 0	0 0	1 1
	BP-4900	BP-4901	BP-4902	BP-4903	BP-4904	
Öne/Forward Açılı/Angle		0000 0	000 0	00 0	0 0	1 1
	BP-5100	BP-5101	BP-5102	BP-5103	BP-5104	
Geriye/Backward Düz/Straight		0000 0	000 0	00 0	0 0	1 1
	BP-5000	BP-5001	BP-5002	BP-5003	BP-5004	
Geriye/Backward Açılı/Angle		0000 0	000 0	00 0	0 0	1 1
	BP-5200	BP-5201	BP-5202	BP-5203	BP-5204	



BP-5300 - BP-5702
24 cm

Geriye/Backward Düz/Straight		0	1	2
	BP-5300	BP-5301	BP-5302	
Geriye/Backward Açılı/Angle		0	1	2
	BP-5500	BP-5501	BP-5502	
Geriye/Backward Aşağı/Down		0	1	2
	BP-5700	BP-5701	BP-5702	



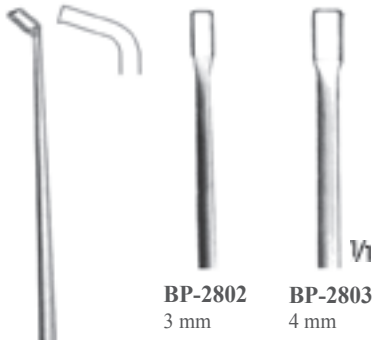
BP-5400 - BP-5802
24 cm

Öne/Forward Düz/Straight		0	1	2
	BP-5400	BP-5401	BP-5402	
Öne/Forward Açılı/Angle		0	1	2
	BP-5600	BP-5601	BP-5602	
Öne/Forward Aşağı/Down		0	1	2
	BP-5800	BP-5801	BP-5802	



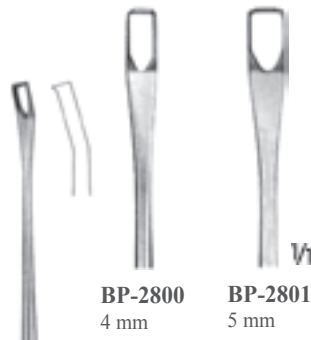


143 ° buhar sterilizatörlerinde steril edilebilir.
Can be sterilized in a steam sterilizer up to 143 °



BP-2802
3 mm

BP-2803
4 mm



BP-2800
4 mm

BP-2801
5 mm



BP-3206
4 mm

BP-3207
5 mm

BP-3208
6 mm



V2
CASPAR
BP-2802 - BP-2803
Dişli/Toothed
27 cm



V2
CASPAR
BP-2800 - BP-2801
Dişli/Toothed
25 cm



V2
CASPAR
BP-3206 - BP-3208
22 cm

143° buhar sterilizatörlerinde steril edilebilir.
Can be sterilized in a steam sterilizer up to 143°



Fig.000
BP-3200
3.6 mm
Fig.00
BP-3201
4.4 mm
Fig.0
BP-3202
5.2 mm



Fig.000
BP-3203
3.6 mm
Fig.00
BP-3204
4.4 mm
Fig.0
BP-3205
5.2 mm



BP-3400
2.8 mm
BP-3401
3.6 mm
BP-3402
5.2 mm
BP-3403
10 mm



BP-3404
2.8 mm
BP-3405
3.6 mm
BP-3406
5.2 mm
BP-3407
10 mm

CASPAR
BP-3200 - BP-3202
22 cm

CASPAR
BP-3203 - BP-3205
22 cm

SYPERT
BP-3400 - BP-3403
38 cm

SYPERT
BR-3404 - BR-3407
38 cm






fig. 6

BP-6405
14.5 mm


fig. 5

BP-6404
13 mm


fig. 4

BP-6403
11.5 mm


fig.3

BP-6402
10 mm



fig. 2

BP-6401
8.5 mm

fig. 1

BP-6400
6.8 mm



SIMON
BP-6400 - BP-6405
24 cm


fig. 6

BP-6505
14.5 mm


fig. 5

BP-6504
13 mm


fig. 4

BP-6503
11.5 mm


fig.3

BP-6502
10 mm



fig. 2

BP-6501
8.5 mm

fig. 1

BP-6500
6.8 mm



SCHRÖDER
BP-6500 - BP-6505
31 cm

fig. 6

BP-6604
14 mm

fig. 5

BP-6603
12 mm

fig. 4

BP-6602
10 mm

fig. 3

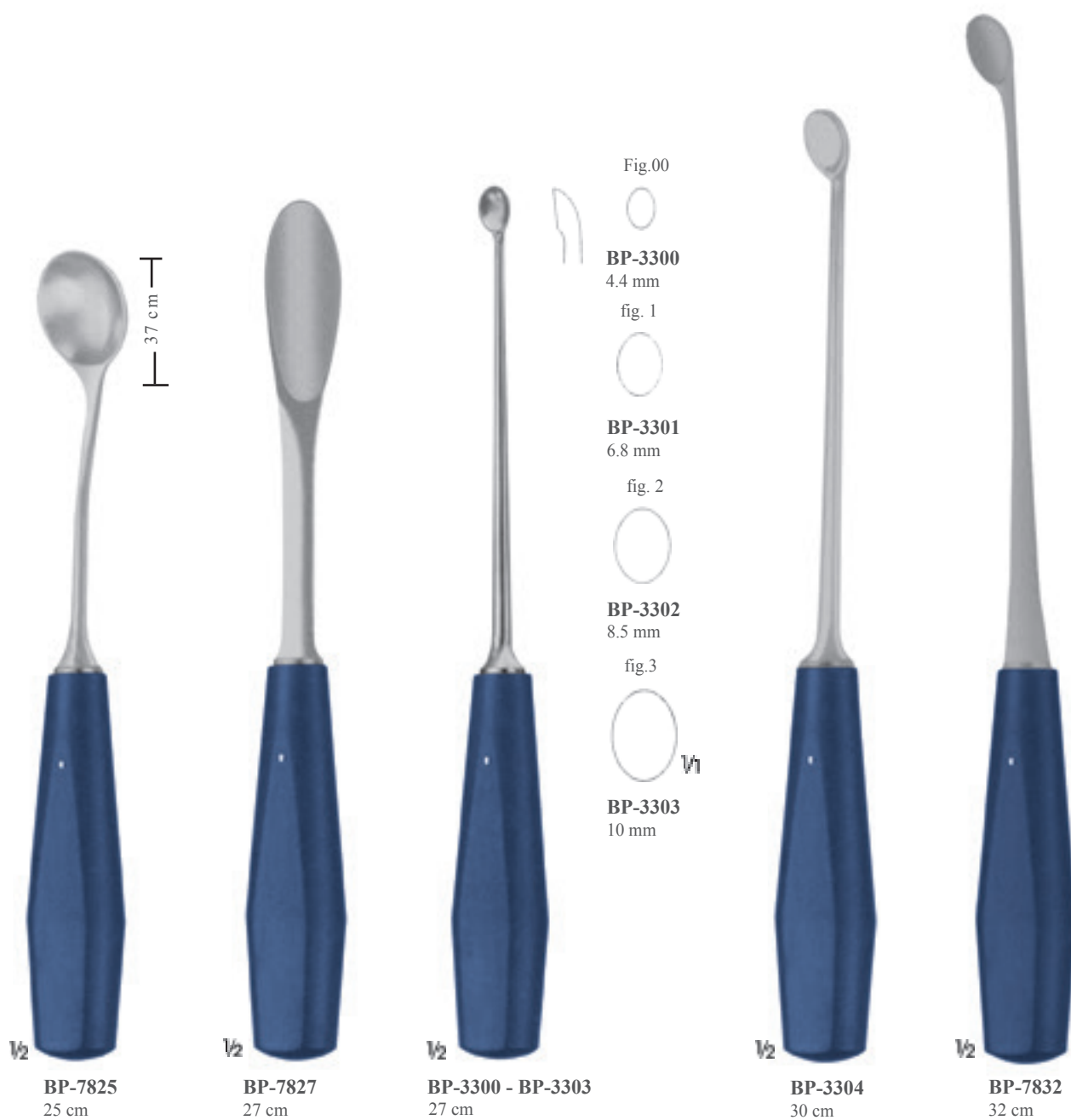
BP-6601
8 mm

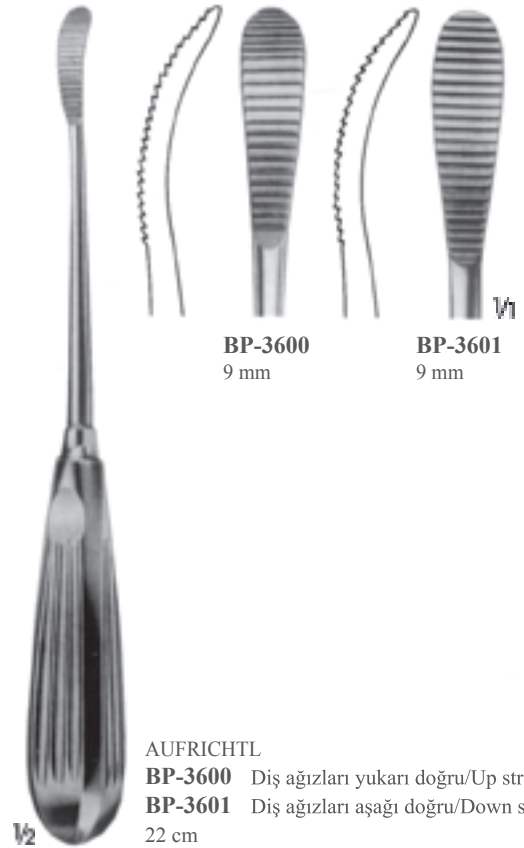
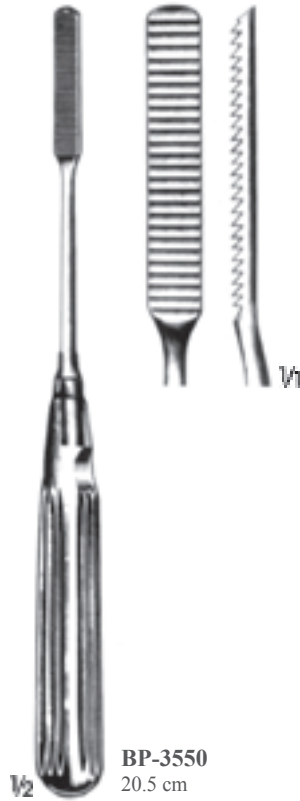
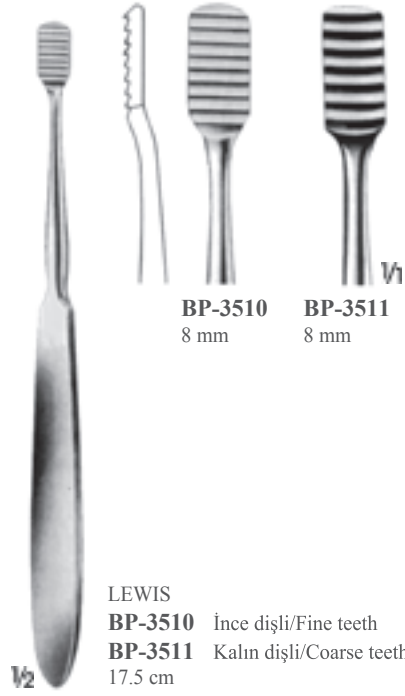
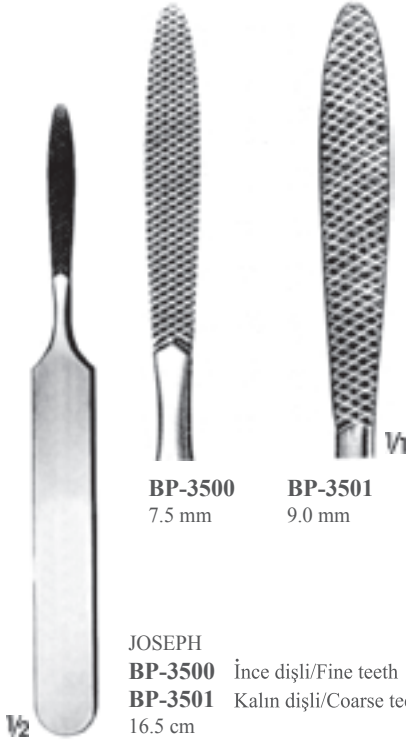
fig. 2

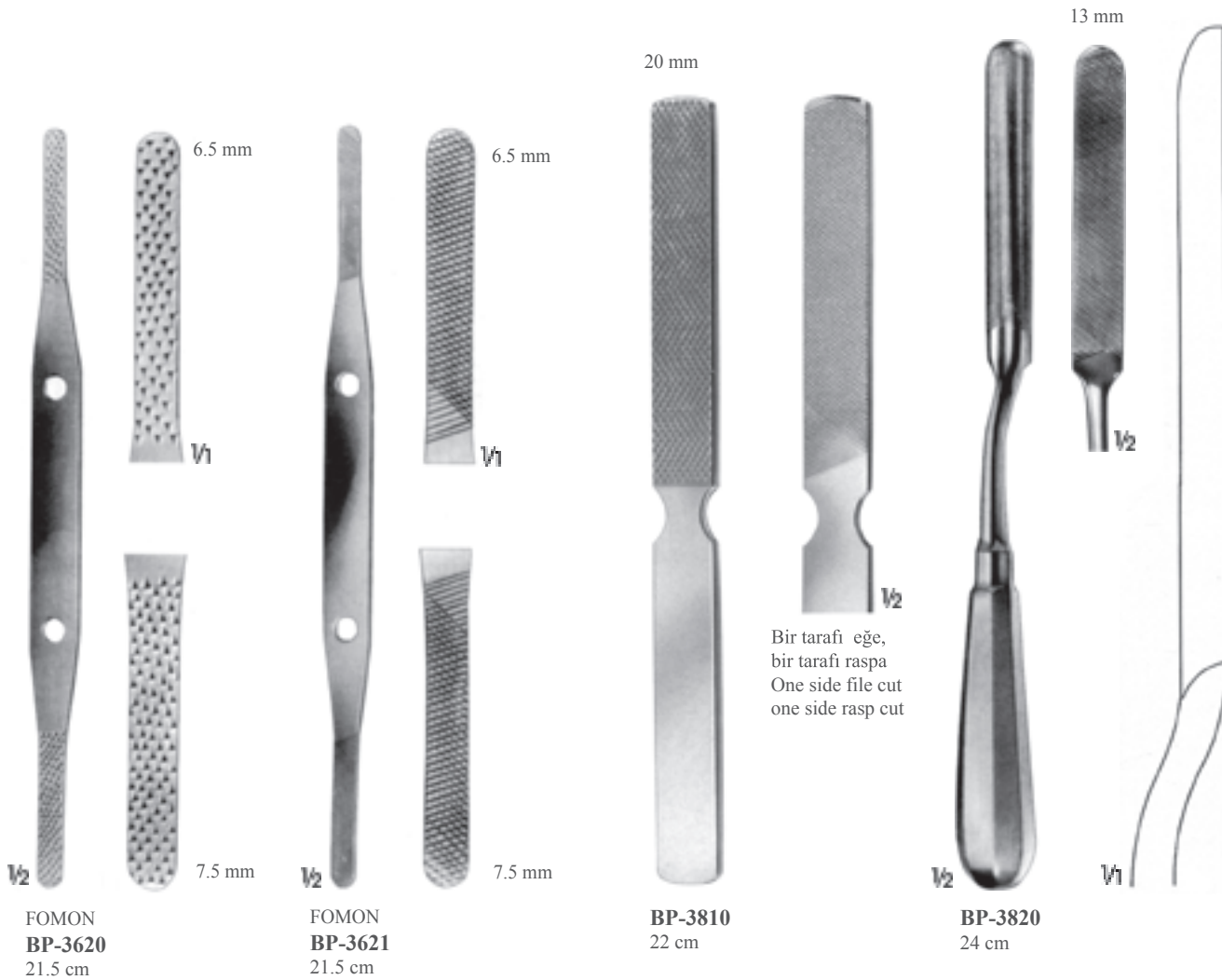
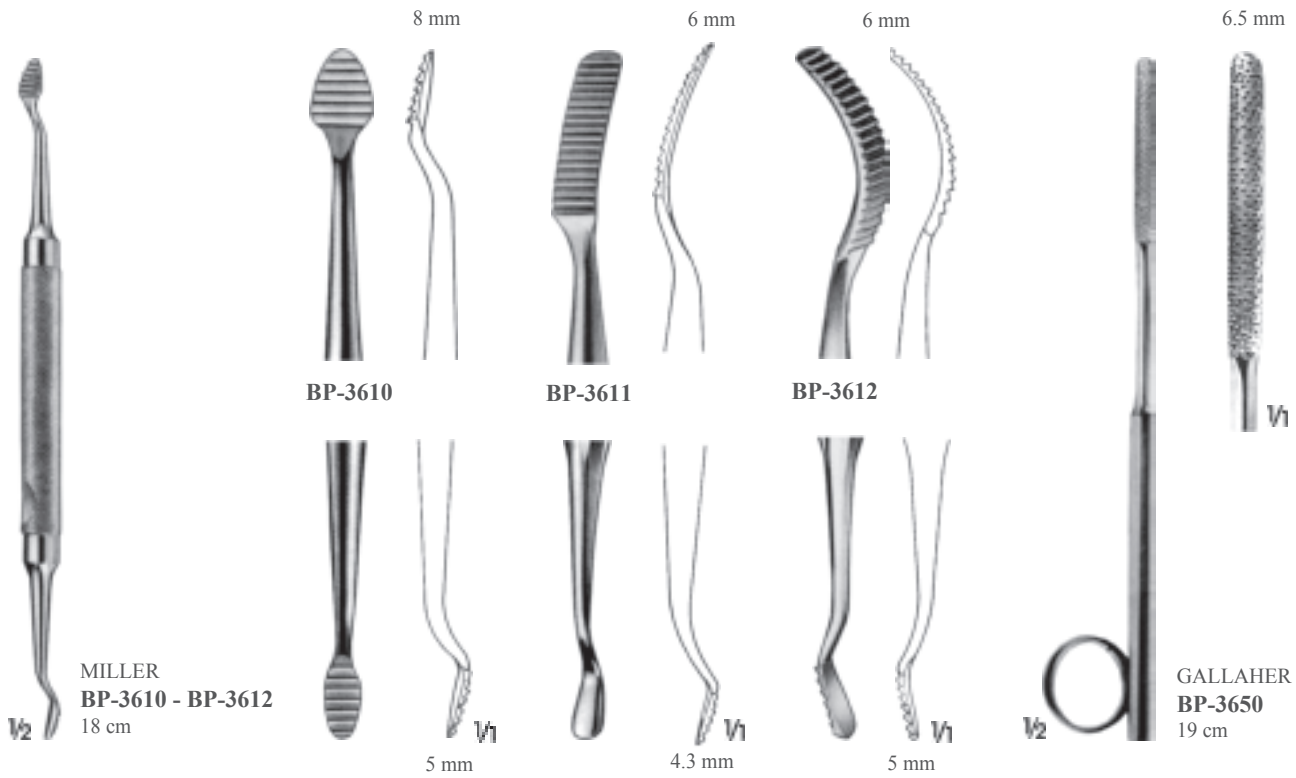
BP-6600
6 mm


GOURDET
BP-6600 - BP-6604
Künt/Blunt
28 cm

143° buhar sterilizatörlerinde steril edilebilir.
Can be sterilized in a steam sterilizer up to 143°









BP-3800 - BP-3804
20.5 cm

Diş
Teeth

7 mm



BP-3800
12/14

7 mm



BP-3801
16/20

7 mm



BP-3802
24/30

7 mm



BP-3803
36/44

7 mm



BP-3804
52/62

18 mm



20 mm
PUTTI
BP-3209
27 cm

20 mm



BP-3220
29.5 cm



PUTTI
BP-3210
30 cm

